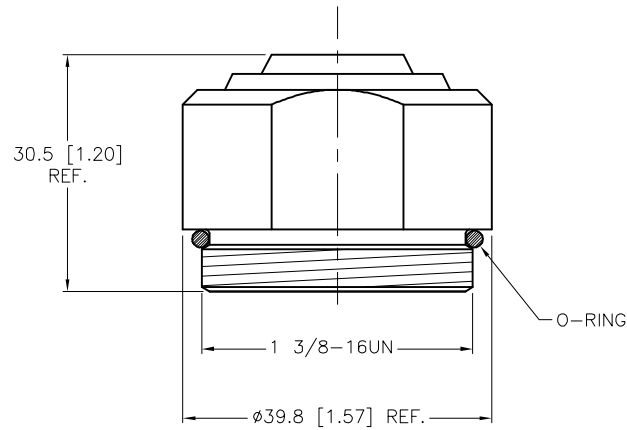
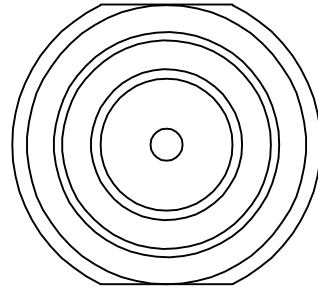

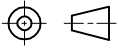


SPECIFICATIONS

CAP MATERIAL/PLATING	BRASS/NICKEL
O-RING MATERIAL	NITRILE (BUNA-N)



SOURCE DRAWING - FOR REFERENCE ONLY

RELATED DOCUMENTS		3RD ANGLE PROJECTION	THIS DRAWING IS CONFIDENTIAL AND THE PROPERTY OF TURCK INC. USE OF THIS DOCUMENT WITHOUT WRITTEN PERMISSION IS PROHIBITED.		 3000 CAMPUS DRIVE MINNEAPOLIS, MN 55441 1-800-544-7769 (763) 553-7300 (763) 553-0708 fax www.turck.us	
1.			DRFT	RDS	DATE	12/22/08
2.			APVD		SCALE	1=1.0
3.		ALL DIMENSIONS DISPLAYED ON THIS DRAWING ARE FOR REFERENCE ONLY	UNIT OF MEASUREMENT		DESCRIPTION	
4.			MILLIMETER [ INCH ]		GSDM-MC	
MATERIAL		SEE SPECIFICATIONS	CONTACT TURCK FOR MORE INFORMATION		IDENTIFICATION NO.	
SEE SPECIFICATIONS			DO NOT SCALE THIS DRAWING		U2-14839	
FINISH		SEE SPECIFICATIONS	FILE: U2-14839		REV	
C		UPDATE	BY		C	
REV		DESCRIPTION	DATE		SHEET 1 OF 1	
		NF	ECO NO.			
		04/28/23				
		500000008172				

C	UPDATE	NF	04/28/23	500000008172
REV	DESCRIPTION	BY	DATE	ECO NO.